



Since 1954

Concession Trailers



With a Wells Cargo Behind . . . You Never Look Back!™

CLW



Grand Attraction

The Wells Cargo **CLW Series** combines quality and economy into one ready-to-roll package. Since we custom build on a production line basis, value is a standard feature. You'll get a top-notch concession trailer with the options you want at an affordable price. Although a little smaller than the CEW Series (see pages 4 & 5), the **CLW Series** has many of the same features and all the same craftsmanship. Choose from a wide variety of serving window configurations and interior counter/cabinet layouts to design your very own profit center. We'll put our 55+ years of customizing experience to work for you. Count on it.



Sign-Type Awning (Plexiglas & Backlit)



Overhead Bread Tray/Shelf



Exterior Fiberglass Fold-Up Counter with Radius Corners

CLW Series Includes:

- 2" (Single Axle) or 2⁵/₁₆" (Tandem Axle) Positive Lock Ball Coupler
- Safety Chains with Hooks Meet or Exceed D.O.T. Requirements
- 4" Drop Axles (Single or Tandem)
- Torflex® Rubber Torsion Suspension
- Electric Brakes featuring Dexter® Nev-R-Adjust
- Breakaway System with Wet Cell Battery
- Radial Tires with E-Coated Silver Spoke Wheels
- Corrosion Preventative Compound Undercoating
- Entry Door with Flush Lock
- Fiberglass End Caps
- LED Tail Lights, Marker Lights and Clearance Lights with Wells Cargo Exclusive Safety Package
- .030 Prefinished Aluminum Exterior Skin (12 colors)
- Seamless Aluminum Roof
- Extruded Anodized Aluminum Roof Cove and Bottom Trim
- 1/4" Plywood Interior Sidewall Lining
- 3/4" Plywood Floor
- 12 Volt Trailer End Connector (7-way Plug)
- Jack Ram Hoist with Sand Pad





AVAILABLE SIZES	
	CLW
Body Width:	7'
Body Lengths:	12' to 16'
Interior Height:	6'6" to 8'6"

Specifications and features subject to change without notice.
Models feature optional equipment available at additional charge.

CEW



Midway Mover

The Wells Cargo **CEW Series** is our heavy-duty workhorse for the full-time concessionaire. Day or night . . . rain or shine . . . we know your concession trailer better be ready for business. That's why our primary focus has always been on quality and our yardstick your satisfaction. Our steel structured frame is the envy of the industry and delivers unparalleled durability. We use nothing but premium materials from hitch to taillight and our manufacturing experience is unequalled. The end result is a concession trailer that will deliver at least 15 years of daily service with minimal maintenance. We have the testimonial of hundreds of customers to prove it.



Scissor-Type Stabilizer Jacks



Sliding Awning Rods (Gas Piston Assist)



Removable 2-Piece A-Frame with Permanent Step

CEW Series Includes:

- 2^{5/16}" Positive Lock Ball Coupler
- Safety Chains with Hooks Meet or Exceed D.O.T. Requirements
- Tandem 4" Drop Axles
- Torflex® Rubber Torsion Suspension
- Electric Brakes featuring Dexter® Nev-R-Adjust
- Breakaway System with Wet Cell Battery
- Radial Tires with E-Coated Silver Spoke Wheels
- Corrosion Preventative Compound Undercoating
- Entry Door with Flush Lock
- Fiberglass End Caps
- LED Tail Lights, Marker Lights and Clearance Lights with Wells Cargo Exclusive Safety Package
- .030 Prefinished Aluminum Exterior Skin (12 colors)
- Seamless Aluminum Roof
- Extruded Anodized Aluminum Roof Cove and Bottom Trim
- 1/4" Plywood Interior Sidewall Lining
- 3/4" Plywood Floor
- 12 Volt Trailer End Connector (7-way Plug)
- Jack Ram Hoist with Sand Pad



Model CEW162

(Shown with standard radius roof profile.)



Models feature optional equipment available at additional charge.

AVAILABLE SIZES	
	CEW
Body Widths:	8' & 8'6" (Wide Body)
Body Lengths:	12' to 32'
Interior Height:	6'6" to 8'6"

Specifications and features subject to change without notice.
Models feature optional equipment available at additional charge.



Model CEW202

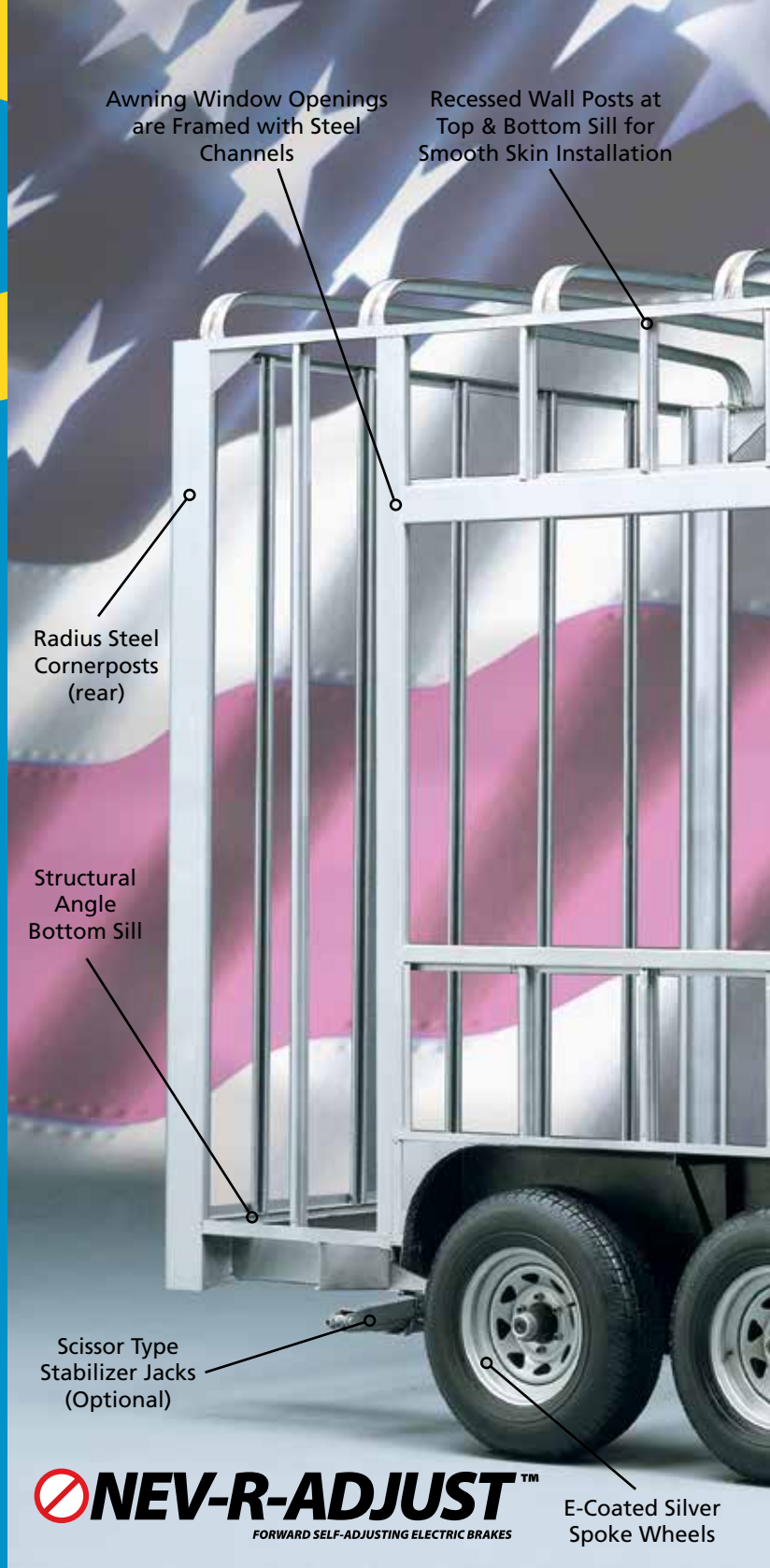
(Shown with optional flat roof profile.)

8' WIDE CONCESSION TRAILERS

Quality Construction Quality Control

Solid engineering delivers solid performance.

We know a hectic event schedule can put quite a toll on a trailer. That's why every Wells Cargo Concession trailer is commercial grade through in through. You can tell by our advanced design, first-rate components, and detailed "fit & finish" that we're serious about our position as the industry leader. This focus on quality means you'll run out of venues long before your Concession trailer is ready to call it quits.



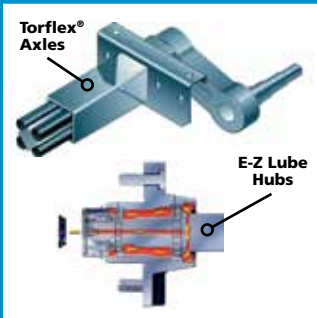
LED Stop/Tail/Turn Light



SmartWire™ Technology (12V)



6 Breakaway System with Wet Cell Battery



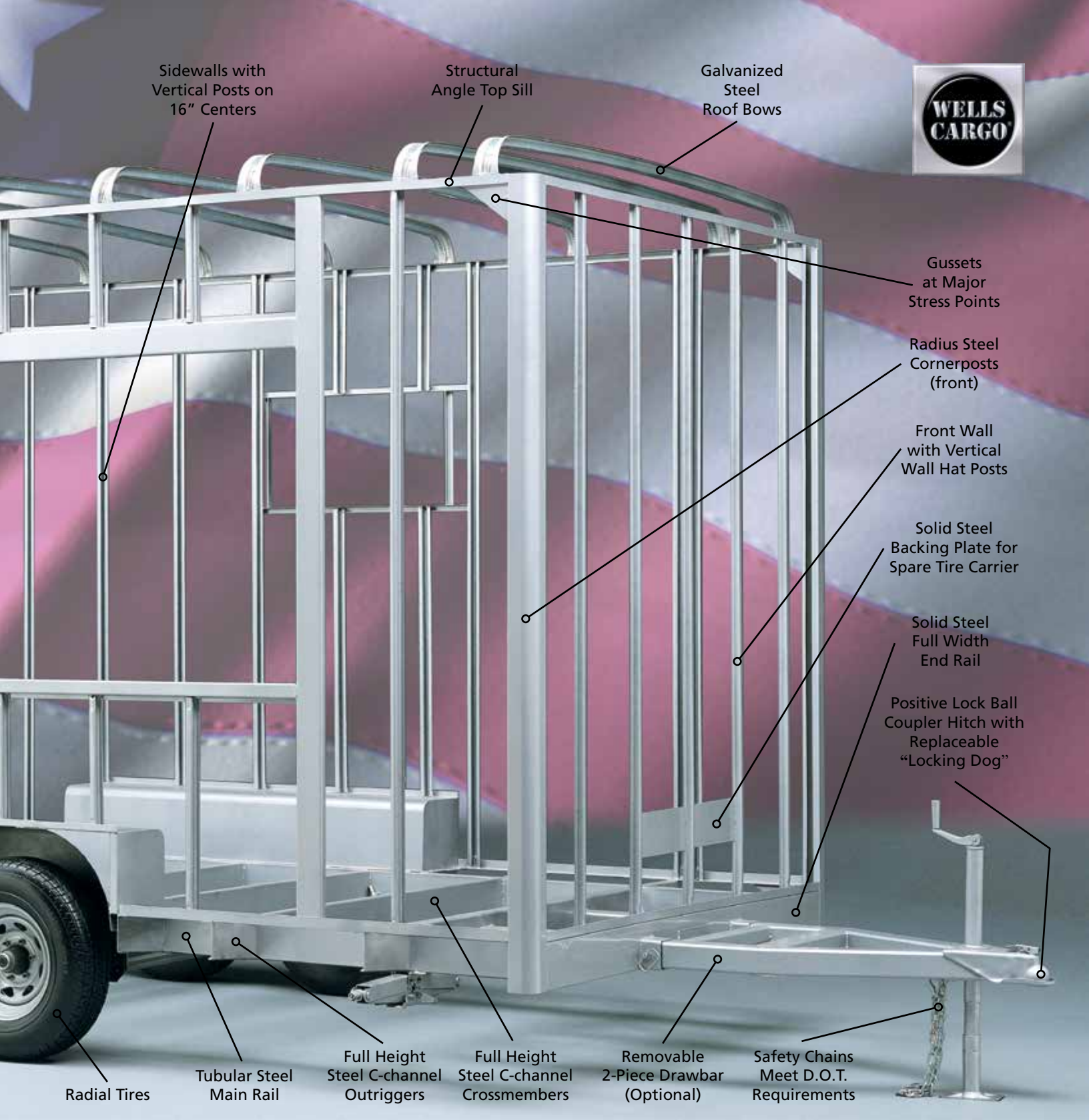
Torflex® Rubber Suspension

NEV-R-ADJUST™
FORWARD SELF-ADJUSTING ELECTRIC BRAKES

E-Coated Silver Spoke Wheels

SMART TECHNOLOGY™

Wells Cargo has been building trailers for over 55 years. That kind of experience is hard to find and it makes a real difference. We've leveraged that experience and apply it everyday in our manufacturing techniques. We call it "Smart Technology". You'll see it throughout our trailers; and better yet, you'll appreciate it after years of carefree service. Look for our Smart Technology in the following areas:



SmartFrame Technology™ begins with the understanding that the frame, although not very glamorous, is the true source of our legendary durability. Without a solid foundation, a steel-structured foundation, everything else is just for show. The frame photo above highlights our SmartFrame Technology approach to trailer design along with many other features that assure your Wells Cargo will outperform any trailer on the market.

SmartWire Technology™: All 12 volt wiring is completely weather protected with no direct exposure to the elements or road hazards. The molded, 4-wire cable is routed inside the tubular main rail. All brake wiring is run through conduit into a welded channel on the axle. Brake wiring is shielded by a plastic loom and the connections are made inside a water resistant cap.

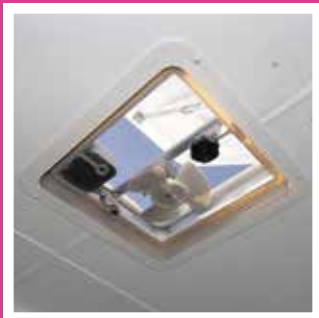
SmartShield Technology™: Every Wells Cargo chassis is protected with a laboratory tested, Corrosion Preventative Compound (CPC), to deter the accumulation of rust. Painted steel surfaces feature a state-of-the-art two-stage process including both an epoxy primer coat and urethane top coat for a smooth, long lasting finish. Also, a special corrosion barrier is applied between the steel frame and aluminum skin to prevent electrolysis.

OPT

Options, Upgrades & Customizing

Every Wells Cargo Concession trailer is jam-packed with a laundry list of quality standard features. From a practical point of view, that's what you want.

However, the real thrill comes from taking that dream trailer concept in your head and turning it into a reality. Wells Cargo has the selection, the resources, and the experience to build your Concession trailer just the way you want it. Is flash your style? Choose from hundreds of striking exterior options. Or, maybe you want all the comforts of home within easy reach. We can do that, too. Check out our generous assortment of interior upgrades that will make your daily grind a pleasure. It doesn't matter the size or the application, Wells Cargo is up to the challenge.



Roof Vent with Exhaust Fan



Radius Tinted Windows



8 Bally Cloth



Roof Mount A/C



1



2



3

1. Laminated Counter, Vinyl Linoleum, 1/4" White Vinyl Sidewalls, Duplex Wall Receptacle, Regular Awnings & Sliding Awning Rods.
2. Recessed Floor, Vinyl Linoleum, Wall Receptacles, Base Cabinets with Laminated Counters & Vertical Serving Windows.
3. Recessed Floor, Laminated Counter, Heavy-Duty Straight Awnings, Heavy-Duty Power Assist Gas Awning Rods & Fluorescent Lighting.
4. Vinyl Linoleum Floor, 1/4" White Embossed FRP Sidewalls, Base Cabinet with Stainless Steel, 4-Compartment Sink (straight), Radius Tinted Window, Wall Switches, Wall Receptacles, Fluorescent Lighting, Service Panel, & 25' Shoreline.
5. Skid-Resistant Vinyl with "Coin" Embossing
6. Flat Roof Profile
7. Preframed Radius Entry Door with Screen
8. Lift-Up Awnings

EXTERIOR COLORS

.030 Prefinished Aluminum Skin



White



Victory Red



Black



Pewter



Indigo Blue



Champagne



Orange*



Beige



Charcoal Gray



Silver Frost



Dark Green



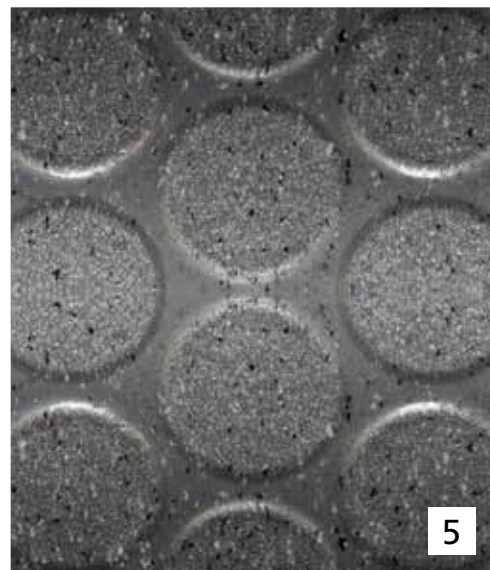
Yellow*

*Certain special colors available at additional charge.

Skin colors shown are representative only. See your dealer for accurate samples.



4



5



7



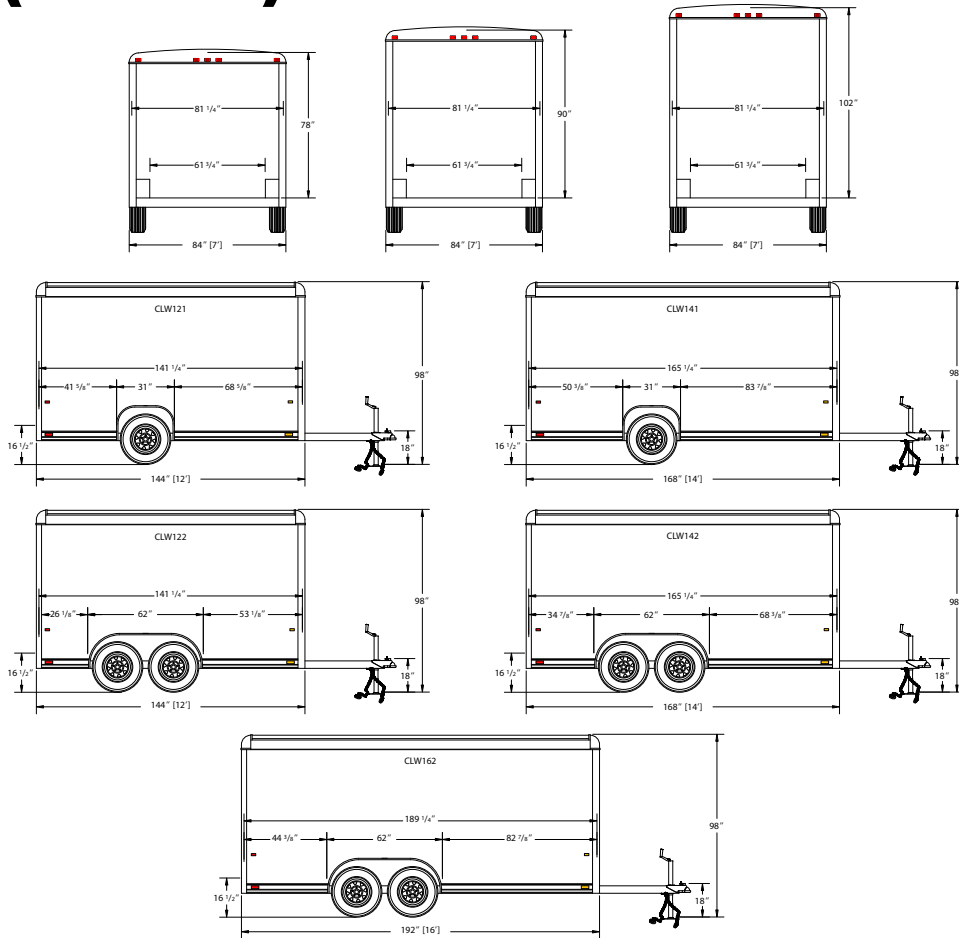
6



8

SPECIFICATIONS & DIMENSIONS

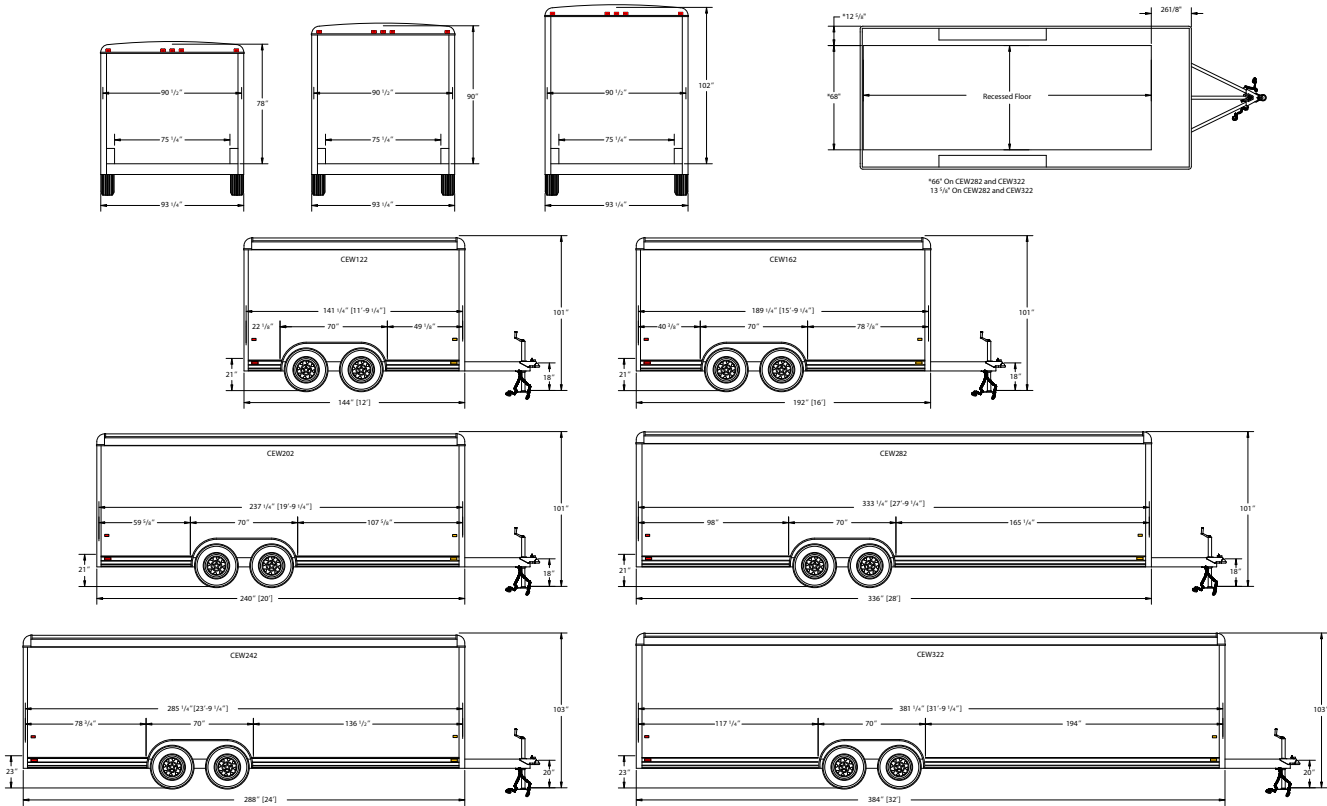
CLW (7' Wide)



MODEL	CLW121	CLW141	CLW122	CLW142	CLW162
Body Length	12'0"	14'0"	12'0"	14'0"	16'0"
Body Width	7'0"	7'0"	7'0"	7'0"	7'0"
Overall Length	16'0"	18'0"	16'0"	18'0"	20'0"
Overall Height	8'2"	8'2"	8'2"	8'2"	8'2"
Interior Length	11'9 1/4"	13'9 1/4"	11'9 1/4"	13'9 1/4"	15'9 1/4"
Interior Width	6'9 1/4"	6'9 1/4"	6'9 1/4"	6'9 1/4"	6'9 1/4"
Interior Height	6'6"	6'6"	6'6"	6'6"	6'6"
Platform Height	16 1/2"	16 1/2"	16 1/2"	16 1/2"	16 1/2"
Axles — Quantity	Single	Single	Tandem	Tandem	Tandem
Axle — Type	4" Drop	4" Drop	4" Drop	4" Drop	4" Drop
Suspension	Torflex®	Torflex®	Torflex®	Torflex®	Torflex®
Tire Size	13"	13"	13"	13"	13"
Load Range	C	C	C	C	C
Wheel Bolt Pattern	5-Bolt	5-Bolt	5-Bolt	5-Bolt	5-Bolt
Hitch Ball Size	2"	2"	2 5/16"	2 5/16"	2 5/16"
Hitch to Top of Ball	18"	18"	18"	18"	18"
Hitch Weight (% of Curb Weight)	10-15%	10-15%	10-15%	10-15%	10-15%
Empty Curb Weight (lb.)	1350	1450	1440	1600	1720
GVWR (lb.)	2900	2900	5800	5800	5800
Entry Door Width	30"	30"	30"	30"	30"

Specifications and features subject to change without notice.

CEW (8' Wide)



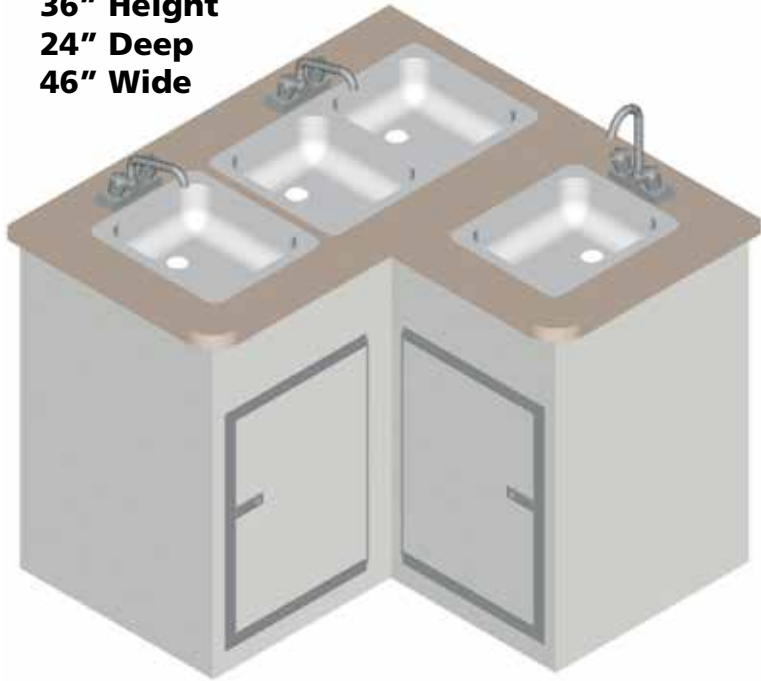
MODEL	CEW122	CEW162	CEW202	CEW242	CEW282	CEW322
Body Length	12'0"	16'0"	20'0"	24'0"	28'0"	32'0"
Body Width	8'0"	8'0"	8'0"	8'0"	8'0"	8'0"
Overall Length	16'0"	20'0"	24'0"	28'0"	32'0"	36'0"
Overall Height	8'5"	8'5"	8'5"	8'5"	8'7"	8'7"
Interior Length	11'9 ¹ / ₄ "	15'9 ¹ / ₄ "	19'9 ¹ / ₄ "	23'9 ¹ / ₄ "	27'9 ¹ / ₄ "	31'9 ¹ / ₄ "
Interior Width	7'6 ¹ / ₂ "	7'6 ¹ / ₂ "	7'6 ¹ / ₂ "	7'6 ¹ / ₂ "	7'6 ¹ / ₂ "	7'6 ¹ / ₂ "
Interior Height	6'6"	6'6"	6'6"	6'6"	6'6"	6'6"
Platform Height	21"	21"	21"	21"	23"	23"
Axles — Quantity	Tandem	Tandem	Tandem	Tandem	Tandem	Tandem
Axle — Type	4" Drop	4" Drop	4" Drop	4" Drop	4" Drop	4" Drop
Suspension	Torflex®	Torflex®	Torflex®	Torflex®	Torflex®	Torflex®
Radial Tire Size	15"	15"	15"	15"	15"	15"
Load Range	D	D	D	D	D	D
Wheel Bolt Pattern	6-Bolt	6-Bolt	6-Bolt	6-Bolt	6-Bolt	6-Bolt
Hitch Ball Size	2 ⁵ / ₁₆ "	2 ⁵ / ₁₆ "	2 ⁵ / ₁₆ "	2 ⁵ / ₁₆ "	2 ⁵ / ₁₆ "	2 ⁵ / ₁₆ "
Hitch to Top of Ball	18"	18"	18"	18"	20"	20"
Hitch Weight (% of Curb Weight)	10-15%	10-15%	10-15%	10-15%	10-15%	10-15%
Empty Curb Weight (lb.)	2350	2550	2740	3100	4043	4419
GVWR (lb.)	8000	8000	8000	8000	8000	8000
Entry Door Width	36"	36"	36"	36"	36"	36"

Specifications and features subject to change without notice.

CABINETS & SINKS

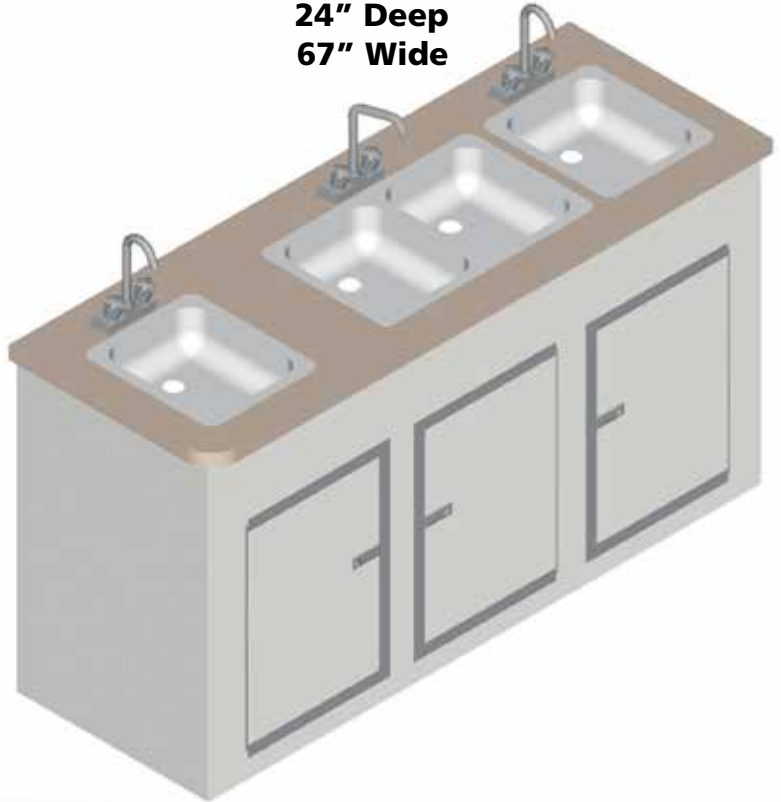
4 Sink L-Shape

36" Height
24" Deep
46" Wide



4 Sink Straight

36" Height
24" Deep
67" Wide



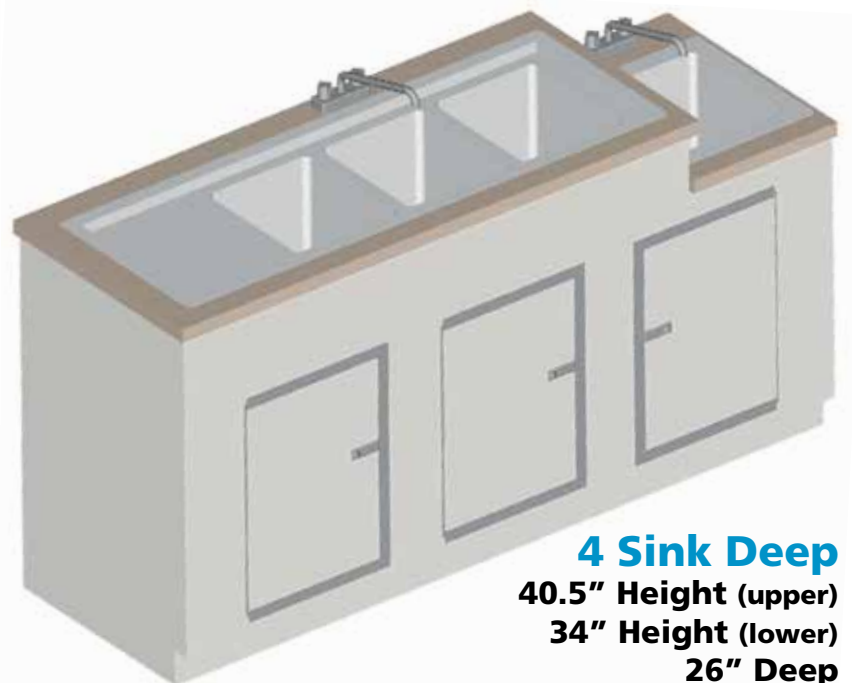
3 Sink Straight

36" Height
24" Deep
48" Wide



Sink Bowl Dimensions

	Width	Length	Depth
Standard Single Sink	11.5"	9.75"	5"
Standard Double Sink	10.75"	13"	5.75"
Deep Sink	12"	14"	12"



4 Sink Deep

40.5" Height (upper)
34" Height (lower)
26" Deep
77" Wide

ORDERING GUIDE

TRAILER WORKSHEET

Please complete the following worksheet by checking the appropriate boxes. This will enable Wells Cargo to start a “No Obligation” quote. In most cases, further discussion will be required to fill in the details.

1.) What is the application of the trailer?

- Food
- Vending
- Line-Up
- Display
- Ticket Booth
- Other: _____

2.) Model and Size (circle required length)

- Single Axle CLW — 7' Wide
(Lengths: 12' & 14')
- Tandem Axle CLW — 7' Wide
(Lengths: 12', 14' & 16')
- Tandem Axle CEW — 8' Wide
(Lengths: 12', 16', 20', 24', 28' & 32')
- Tandem Axle CEW — 8'6" Wide Body
(Lengths: 12', 16', 20', 24', 28' & 32')

3.) Frame

- Flat Floor
- Recessed Floor (Not available on CLW models)

4.) Roof Profile

- Radius Roof (Standard)
- Flat Roof

5.) Hitch

- Permanent A-Frame (Standard)
- One-piece Removable — 12' & 14' single axle models only
- Two-piece Removable — All other models

6.) Stabilizer Jacks

- Scissor Type Jacks
- Wells Cargo Cornerpost Jacks

7.) Entry Door

- 30"W Entry Door Only (Wells Cargo Style)
- 36"W Entry Door Only (Wells Cargo Style)
- 30"W Preframed Square Entry Door with Screen
- 36"W Preframed Square Entry Door with Screen
- 36"W Preframed Radius Entry Door with Screen

8.) Service Windows — Style

- (Normally required in food concession trailers)
- No (Skip to question 10)
- Yes, Vertical Style
- Yes, Horizontal Style

9.) Service Windows — Quantity

- Curbside
- Road Side
- Front

10.) Lift-Up Awnings — Quantity

- One
- Two
- Three
- More _____

11.) Lift-Up Awnings — Style

- Regular* Straight Awnings
- Regular* Sign Type Awning — Aluminum Faced
- Regular* Sign Type Awning — Plexiglas Faced
- Heavy-Duty* Straight Awnings
- Heavy-Duty* Sign Type Awning — Aluminum Faced
- Heavy-Duty* Sign Type Awning — Plexiglas Faced

12.) Awning Supports

- Self Storing — Standard on regular awnings up to 8'0"W without windows
- Swing-Out Supports — Standard on regular awnings over 8'0"W and up to 9'6"W or on all awnings with Service Windows
- Gas Piston Supports — Optional on regular awnings
- Sliding Awning Supports — Standard on all heavy-duty awnings. Optional on regular awnings.

13.) Floors

- One Piece Vinyl Linoleum
- One Piece Skid-Resistant, High Performance Vinyl with “Coin” Embossing
- Other: _____

14.) Insulation

- 1⁵/₈" Fiberglass Insulation — For Walls
- 1⁵/₈" Fiberglass Insulation — For Ceiling
- 7" Fiberglass Insulation — Requires Flat Ceiling

15.) Interior Sidewalls

- 1/4" Plain Luan Plywood — Standard
- 1/4" White Vinyl Covered Plywood — Light Duty
- 1/4" White Embossed FRP Covered Plywood — Heavy Duty

16.) Interior Ceilings

- 1/4" White Vinyl Covered Plywood — Contoured
- 1/4" White Vinyl Covered Plywood — Flat Ceiling (Reduces Interior Height by 6")
- 1/4" White Embossed FRP Covered Plywood — Contoured
- 1/4" White Embossed FRP Covered Plywood — Flat Ceiling (Reduces Interior Height by 6")

17.) Counters/Cabinets/Shelves

- Interior Counter — Laminated (No Cabinet)
- Exterior Hinged Counter — Fiberglass with Radius Corners
- Tip-Out Laminated Counter — 24"W and Hinged in Awning Opening (normally half in, half out)
- Base Cabinet — Includes Laminated Front and Top, One Interior Shelf, Hinged Doors and Positive Latches
- Overhead Laminated Cabinet
- Overhead Plastic Storage/Bread Trays

18.) Sink Units

- 3-Compartment Sink Unit — Straight
- 4-Compartment Sink Unit — Straight
- 4-Compartment Sink Unit — L-Shaped
- 4-Compartment Sink Unit — Deep

19.) Electrical

- 30 Amp Service Panel (120 Volt only)
- 50 Amp Service Panel (120/240 Volt)
- 100 Amp Service Panel (120/240 Volt)
- 120 Volt Duplex Receptacle(s)
- 120 Volt Duplex GFI Receptacle(s)
- 240 Volt Bell Box (Stub Wire)
- Exterior 120 Volt Duplex GFI Receptacle(s)

ORDERING GUIDE

20.) Lighting

- Fluorescent — Interior
- Fluorescent — Awning Mounted
- Fluorescent — Exterior Backlight
- Weatherproof Flood — Exterior
- 120 Volt Wall Switch(s)
- Other: _____

21.) Roof Vents

- 14" x 14" Roof Vent — Screened Crank-Up
- 14" x 14" Roof Vent with 120 Volt Fan
- 8" Power Exhaust Fan
- Roof Vent Cover

22.) Roof Mounted Air Conditioning

- 11,000 BTU
- 13,500 BTU with Heat Strip — 5000 BTU
- 15,000 BTU with Heat Strip — 5600 BTU
- Low Profile 11,000 BTU
- Low Profile 13,500 BTU
- Low Profile 15,000 BTU

23.) Bally Cloth

- Yes
- No

24.) Fender Skirting

- Yes
- No



Name: _____

Company: _____

Address: _____

Phone: (_____) _____

City: _____

Fax: (_____) _____

State: _____ ZIP: _____

Email: _____

14

Fold Here + Tape Edges (Do Not Staple)



WELLS CARGO
PO BOX 728
ELKHART IN 46515-9906



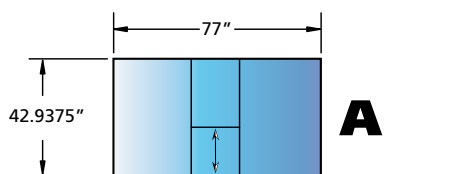
Place stamp
here.
Post Office
will not
deliver without
proper postage.

WELLS CARGO
PO BOX 728
ELKHART IN 46515-9906

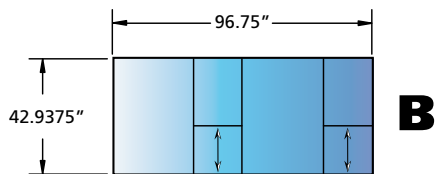


SERVICE WINDOWS

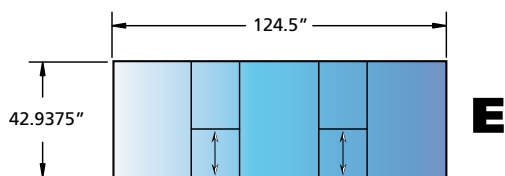
VERTICAL



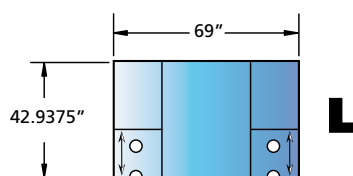
A
2 Stationary Windows, with Screens
1 Vertical Slider, with Screen



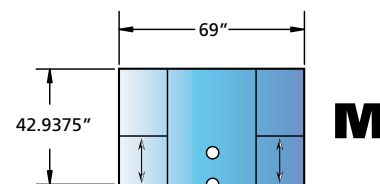
B
2 Stationary Windows, with Screens
2 Vertical Sliders, with Screens



E
3 Stationary Windows, with Screens
2 Vertical Sliders, with Screens

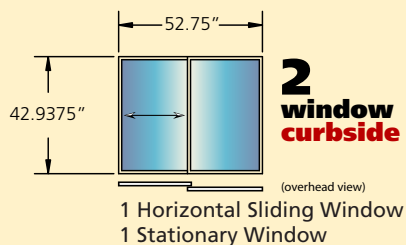


L
1 Stationary Window
2 Vertical Sliders

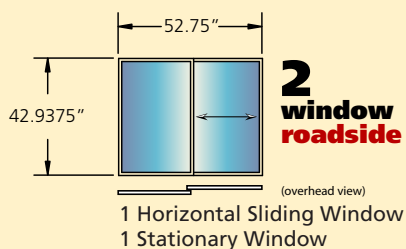


M
1 Stationary Window
(Includes Talk Hole & Money Exchange Opening)
2 Vertical Sliders

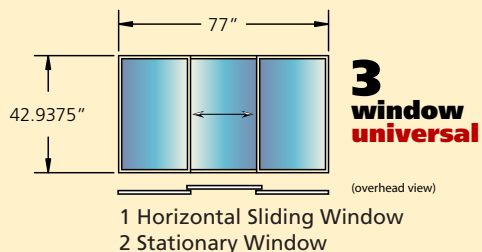
HORIZONTAL



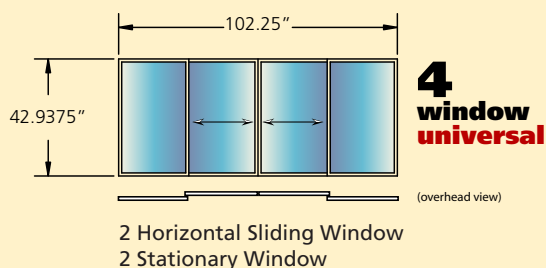
2 window curbside
(overhead view)
1 Horizontal Sliding Window
1 Stationary Window



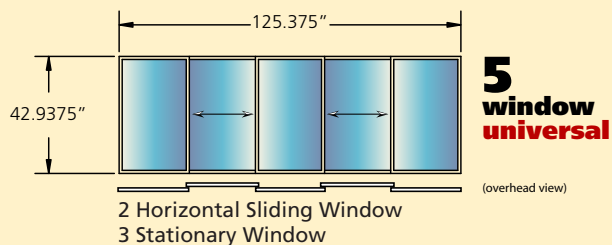
2 window roadside
(overhead view)
1 Horizontal Sliding Window
1 Stationary Window



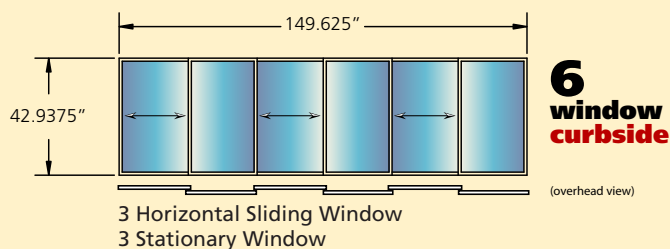
3 window universal
(overhead view)
1 Horizontal Sliding Window
2 Stationary Window



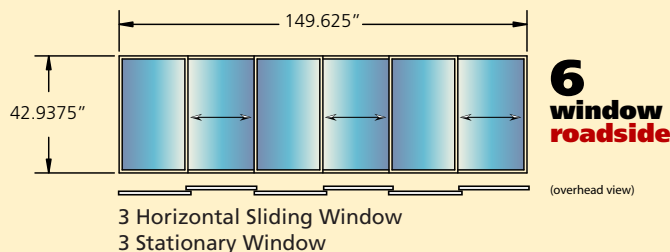
4 window universal
(overhead view)
2 Horizontal Sliding Window
2 Stationary Window



5 window universal
(overhead view)
2 Horizontal Sliding Window
3 Stationary Window



6 window curbside
(overhead view)
3 Horizontal Sliding Window
3 Stationary Window



6 window roadside
(overhead view)
3 Horizontal Sliding Window
3 Stationary Window



Note: Windows are viewed from outside of trailer

Wells Cargo and Our Legacy of Engineering Leadership



Many people say that all enclosed trailers look pretty much alike. We consider that a compliment since it was Wells Cargo who pioneered the industry over 55 years ago. State-of-the-art takes on a whole new meaning when you compare the first trailer we built in 1954 with our product line today. Old "No. 1" looked pretty good back then, but we've come a long way since. Experience has made the difference and ours is unmatched. Our Research & Development facilities keep us the frontrunners of the industry. After thorough evaluation and comparison, we think you'll agree that Wells Cargo has earned our long standing reputation as the premium cargo trailer on the market and the best overall investment.

Rest assured that after you make the decision to buy a Wells Cargo, our commitment to you is not over. Our comprehensive 6-Year "Never Look Back" Warranty Program is more than just words. It's about how quickly and responsibly we respond to your needs. It's the peace-of-mind you get knowing your investment is protected by an established company with a solid reputation. If our work or materials are at fault, we'll make it right. Any one of our five manufacturing facilities or our national network of professional dealers stand ready to service your trailer should the unlikely need arise.



 BY UNIVERSAL TRAILER

www.wellscargo.com

More Great Trailers

For **WORK**, durable Wells Cargo trailers are used every day by Contractors, Landscapers, Fire Departments, Utility Companies, Heavy and Light Industry; anywhere value of investment is critical.

For **FUN**, you'll see Wells Cargo trailers carrying race cars, collector cars, snowmobiles, motorcycles, ATV's, antiques, and recreational/sporting equipment; anywhere reliable service and carefree towing is a must. You'll see Wells Cargo trailers pulled by big trucks, little trucks, passenger cars, and motorhomes.

You'll find Wells Cargo trailers in almost any situation requiring dependable, economical transportation and storage.



< Snap this with your smart phone for more information.

AUTHORIZED WELLS CARGO DEALER



©Wells Cargo, Inc. 2006 LITHO USA Form CONCESS106R1213

Waco, TX
McAdoo, PA

Elkhart, IN

Ogden, UT
Waycross, GA